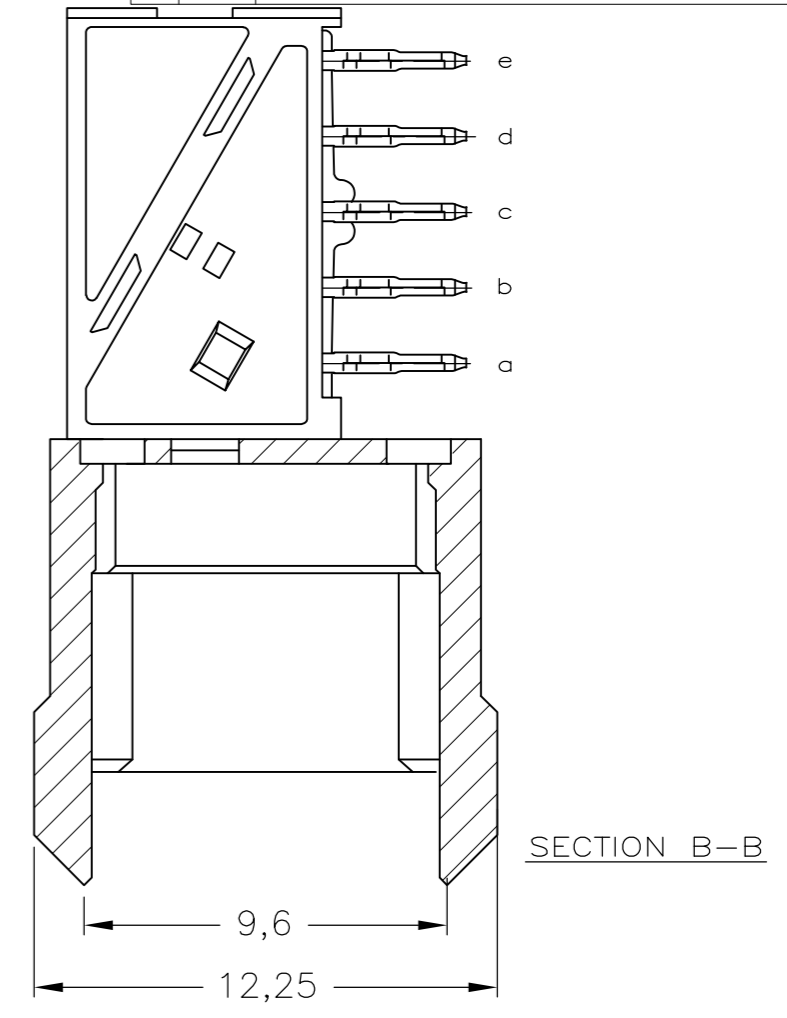
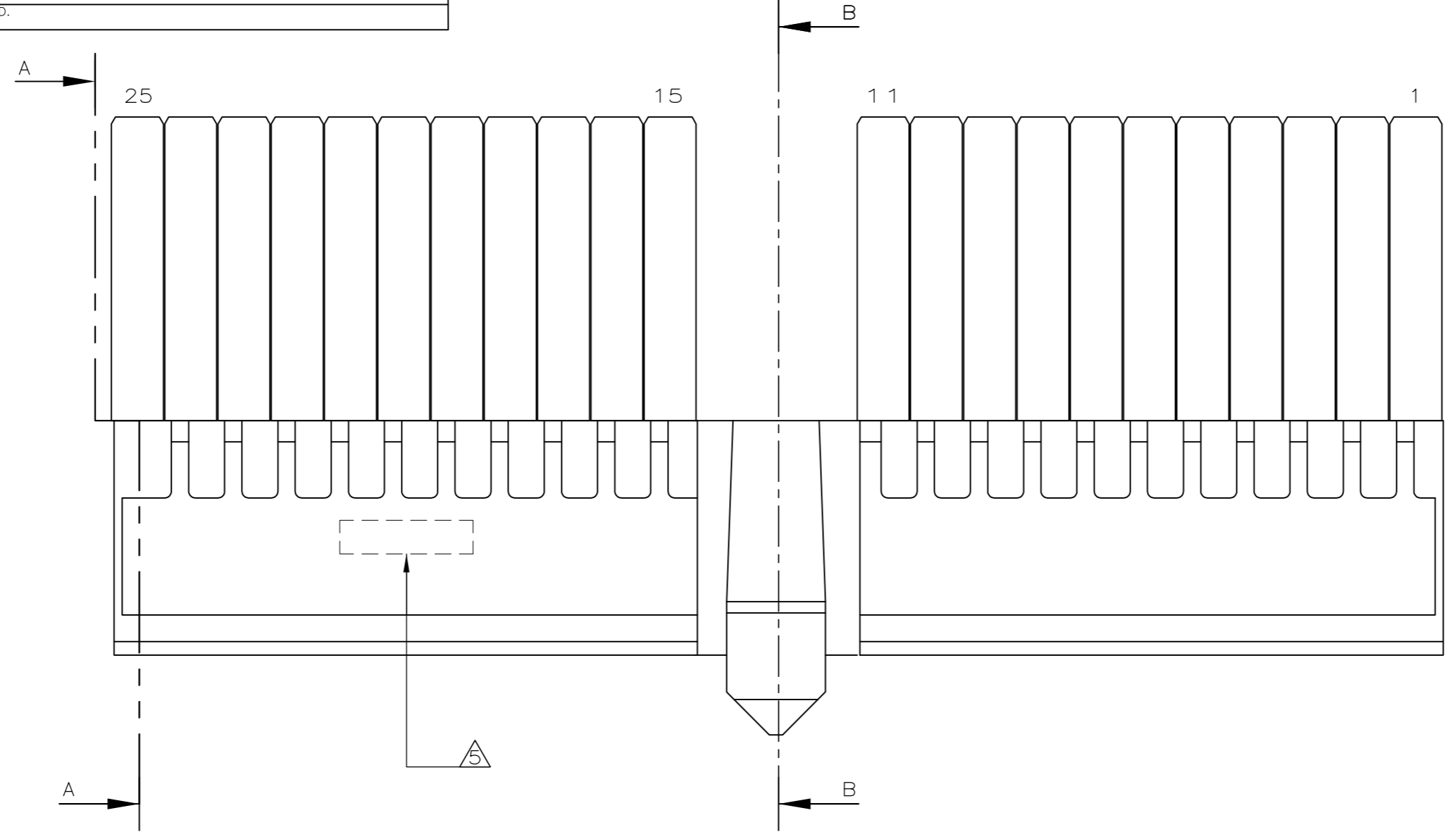
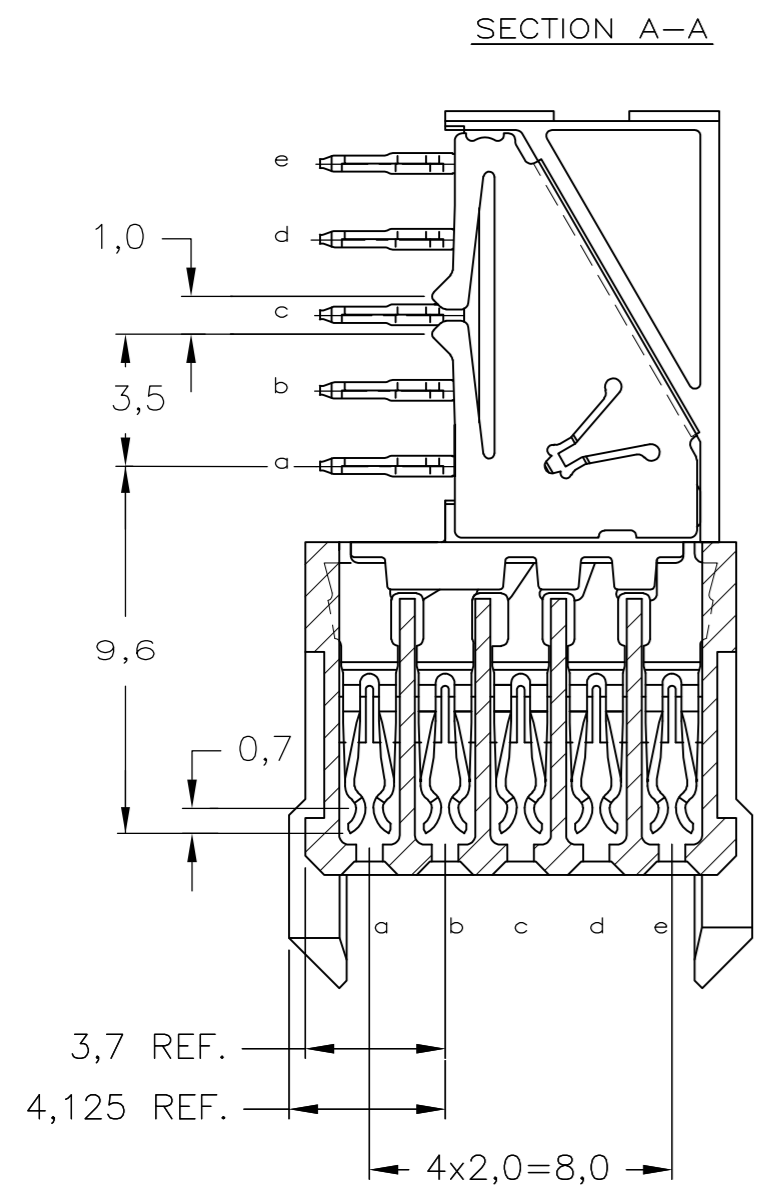
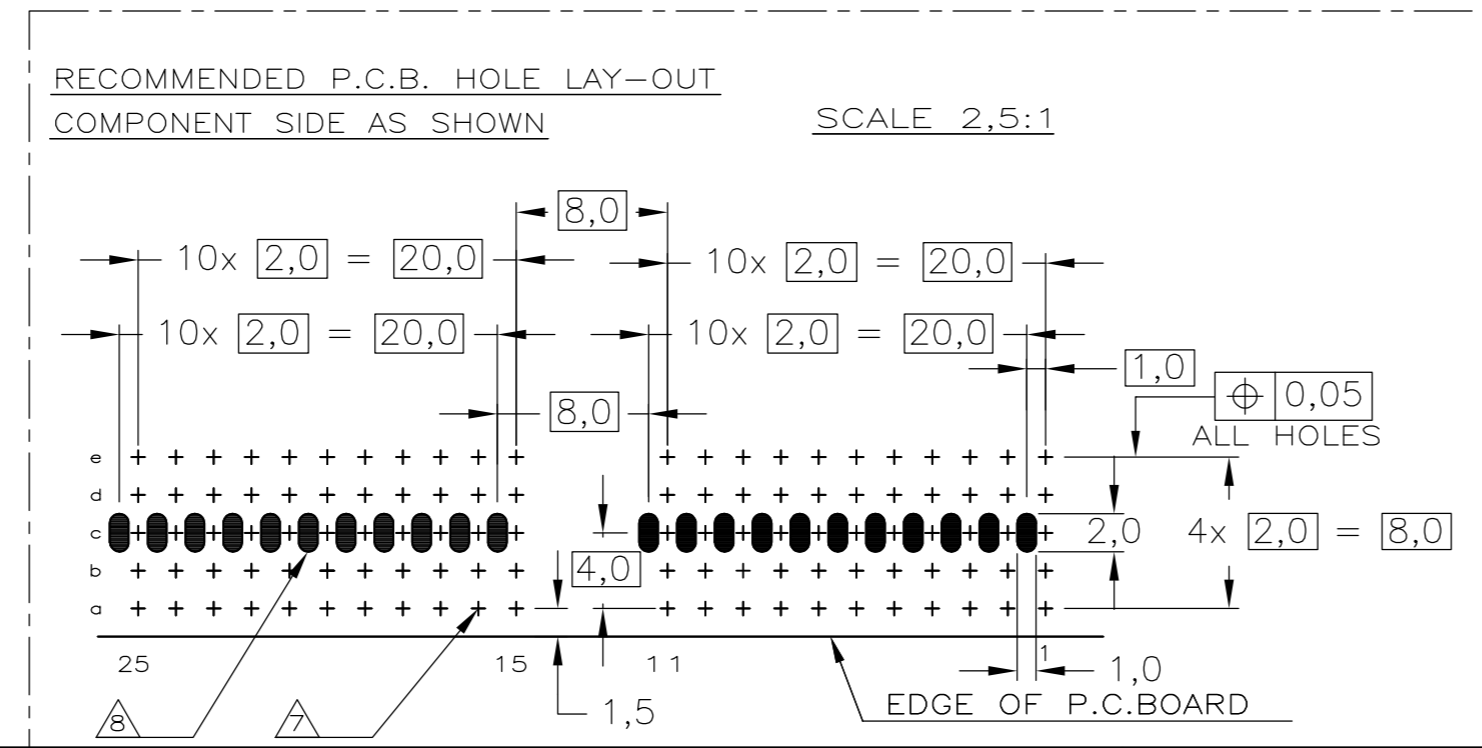
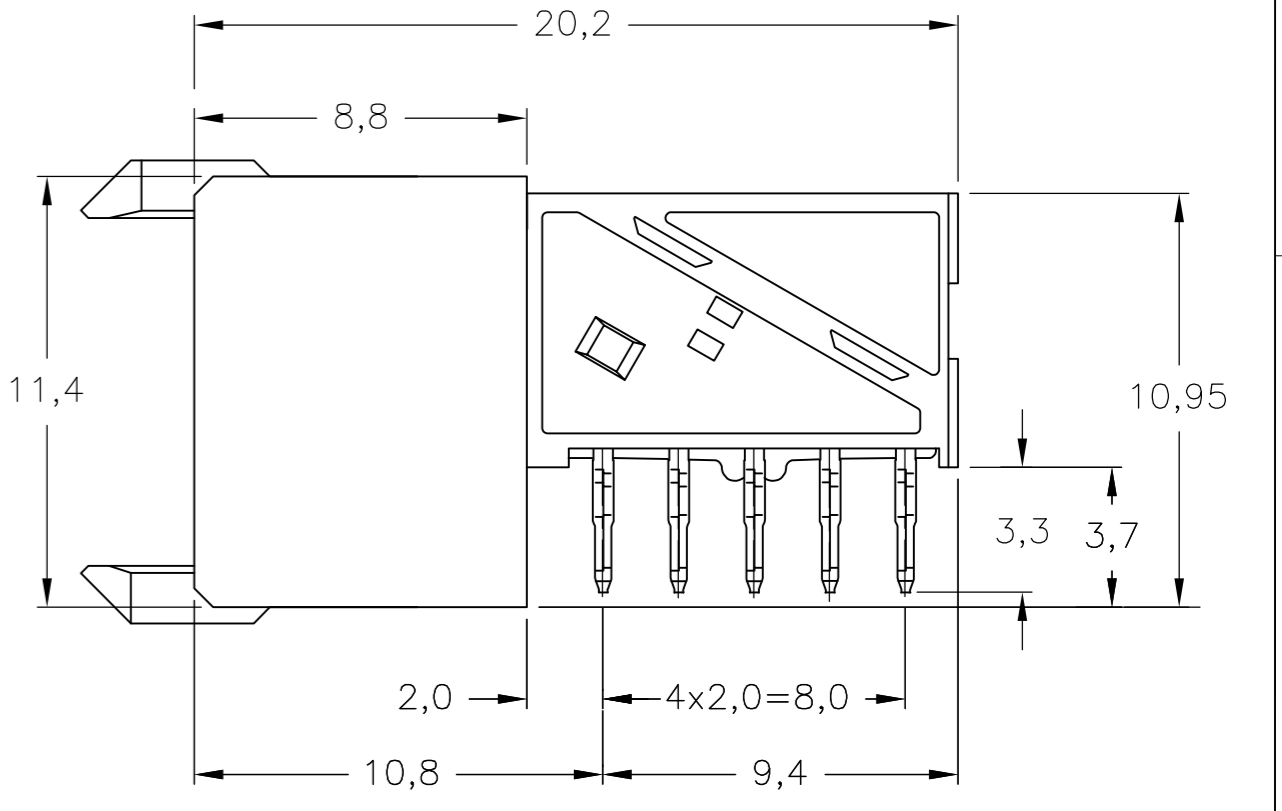
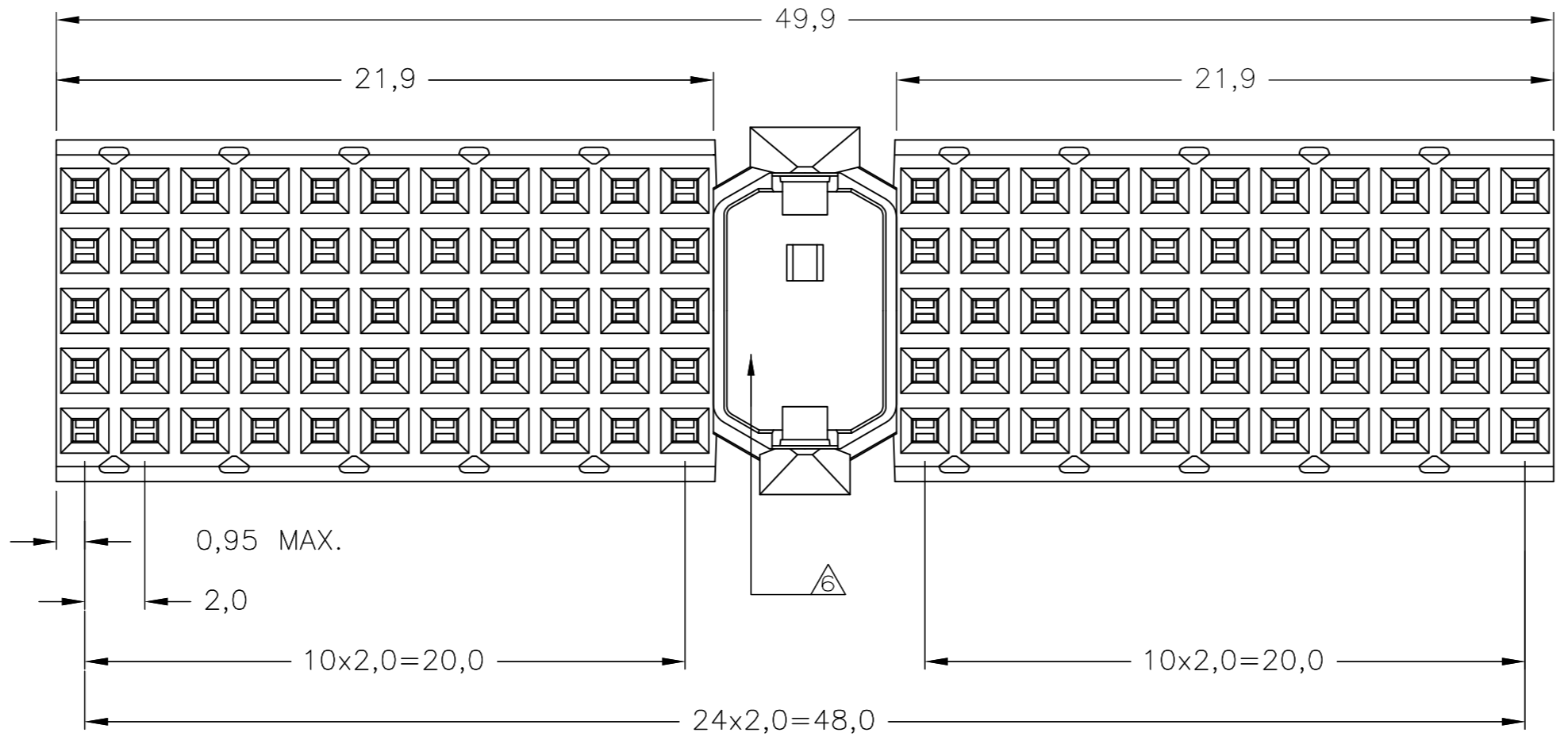


THIS DRAWING IS UNPUBLISHED. RELEASED FOR PUBLICATION  
 © COPYRIGHT BY TYCO ELECTRONICS CORPORATION. ALL RIGHTS RESERVED.

LOC		DIST		REVISIONS			
P	LTR	DESCRIPTION	DATE	DWN	APVD		
C		ECR-06-026577	14-11-06	BSV	BM		
C1		REVISED PER ECO-10-000444	19JAN10	KK	HMR		



- NOTES:
- 1 MATERIAL : CONTACT; PHOSPHORBRONZE  
REDUCED CROSS-TALK SHIELD; PHOSPHORBRONZE  
HOUSING; GLASSFILLED POLYESTER (GRAY)
  - 2 GENERAL CONTACT PLATING SPECIFICATION: UNDERPLATING  
(ENTIRE CONTACT): 1,27µm NICKEL MIN. AND  
ACTION PIN: 0,5µm TIN MIN.FOR PLATING OF MATING  
SURFACES SEE APPLICABLE SPECIFICATION REFERENCE FOR  
EACH DASH NUMBER.  
REDUCED CROSS-TALK SHIELD PLATING:  
GOLD FLASH OVER 1,27 µm NICKEL MIN.
  - 3 CONFORMS TO ALL TESTING ACCORDING IEC 61076-4-101  
PERFORMANCE LEVEL 2.
  - 4 CONFORMS TO ALL TESTING ACCORDING IEC 61076-4-101  
PERFORMANCE LEVEL 1.
  - 5 CONNECTOR PRINTED WITH PARTNUMBER AND  
DATECODE THE MARKING CAN APPEAR ON THE  
FRONT SIDE OR ON THE BACK SIDE.
  - 6 AREA RESERVED FOR KEYING PART  
(BASIC P.N.100526)
  - 7 PLATED-THROUGH HOLES AT 2x2mm SQUARE GRID  
TOTAL 110 HOLES.
  - 8 PLATED SPOT ONLY ON COMPONENT SIDE, FORMING  
ONE CONTACT WITH PLATED THROUGH HOLES  
OF ROW C
  - 9. FITS WITH INTEGRATED GROUND RETURN  
UPPERSHIELD 5338107-2 AND LOWERSHIELD  
5338108-2.
  - 10 OBSOLETE PARTS: OBSOLETE CIS STREAMLINING PER  
D.RENAUD/D.SINISI



P.C.B. HOLE DIM. ACTION PIN  
FOR DETAILS SEE  
APPLICATION SPECIFICATION

THIS DRAWING IS A CONTROLLED DOCUMENT.		DWN	10AUG2004
		CHK	22SEP2004
		APVD	22SEP2004
DIMENSIONS: mm		TOLERANCES UNLESS OTHERWISE SPECIFIED:	
		0 PLC	± -
		1 PLC	± -
		2 PLC	± -
		3 PLC	± -
		4 PLC	± -
		ANGLES	± -
MATERIAL		FINISH	

2	4	1	10
2	3	1	
FINISH		MATERIAL	
		PARTNUMBER	
		5100623-4	
		5100623-1	

THIS DRAWING IS A CONTROLLED DOCUMENT.		DWN	10AUG2004	Tyco Electronics Corporation	
		CHK	22SEP2004	s-HertogenBosch, Netherlands,	
		APVD	22SEP2004	NAME	
DIMENSIONS: mm		TOLERANCES UNLESS OTHERWISE SPECIFIED:		Z-PACK 2mm HM TYPE A	
		0 PLC	± -	110 POS. FEMALE CONNECTOR	
		1 PLC	± -	WITH REDUCED CROSSTALK SHIELD	
		2 PLC	± -	SIZE	
		3 PLC	± -	CAGE CODE	
		4 PLC	± -	DRAWING NO	
		ANGLES	± -	RESTRICTED TO	
MATERIAL		FINISH		A2 00779 C=5100623	
				SCALE 5:1 SHEET 1 OF 1 REV C1	